



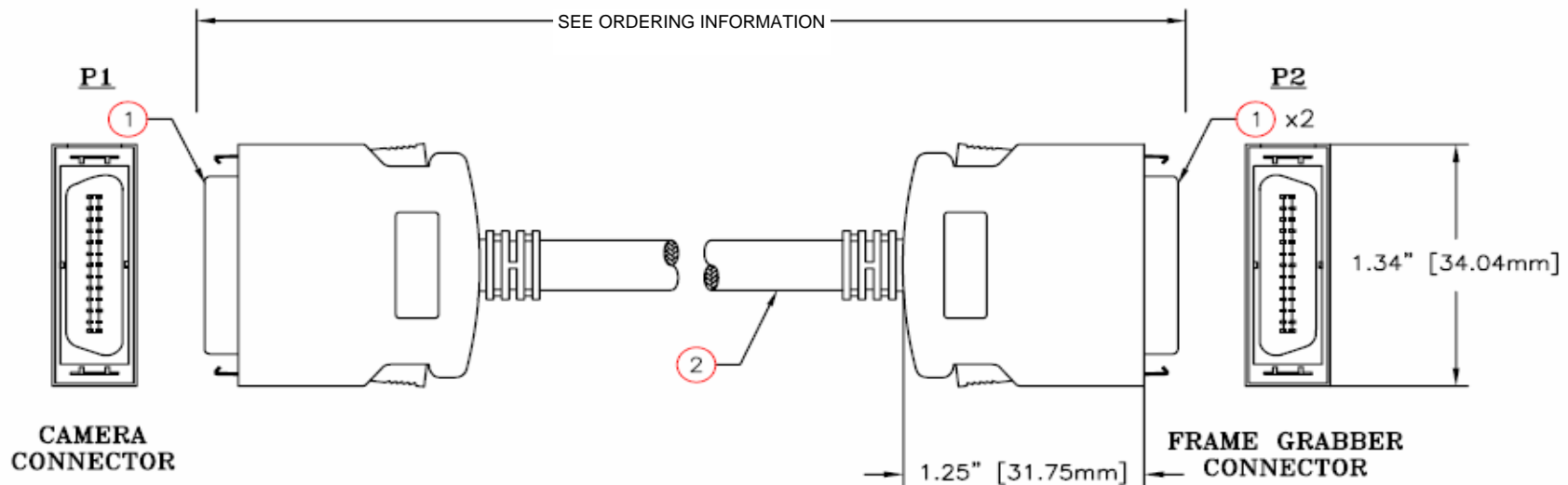
THIS PRODUCT CONTAINS PROPRIETARY INFORMATION OF OCP GROUP INC. AND IS SUBJECT TO THE CONDITIONS THAT THE INFORMATION: (A) BE RETAINED IN CONFIDENCE. (B) NOT BE PRODUCED OR COPIED IN WHOLE OR IN PART. © NOT BE USED INCORPORATED IN ANY PRODUCT EXCEPT ON AN EXPRESS WRITTEN AGREEMENT WITH OCP GROUP INC.


REVISIONS				
DATE	REV	ECN	DESCRIPTION	APP'D
04/06	A	--	INITIAL RELEASE	MC
10/08	B	3386	REVISE DRAWING FORMAT ACCORDING TO MFG	MC

ORDERING INFORMATION

12-10010-XX

length:
 .3 = 3 meters
 1 = 1 meters
 2 = 2 meters
 3 = 3 meters
 5 = 5 meters
 7 = 7 meters



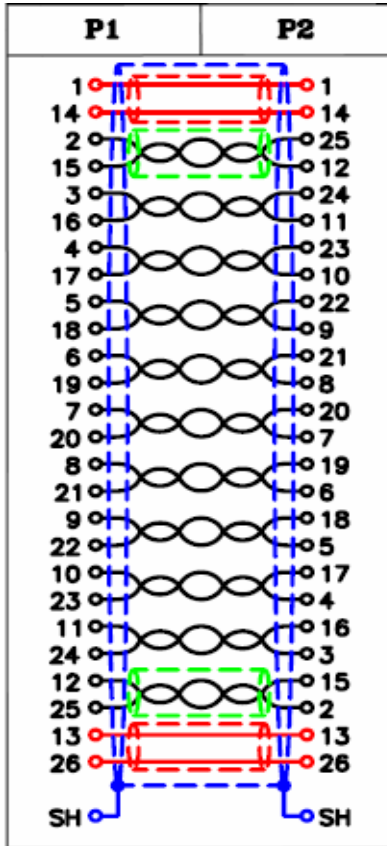
6			UNLESS OTHERWISE SPECIFIED			TITLE: CAMERA LINK CABLE ASSEMBLY LATCH OCP PART No.: SEE ORDERING INFO. CUSTOMER: TBD			
5			CABLE TOLERANCE						
4			Length ± 3%						
3			CONN. TOLERANCE	SCALE: NTS	DATE: 09/02/08	CUSTOMER: TBD			
2	CUSTOM ENGINEERED "CAMERA LINK" CABLE	A/R		UNITS: METER	CHK'D: CJG				
1	HALF PITCH 26 2-PL POS. CENTRONICS KIT CONNECTOR ASSY.	2	Dimension ± 3%	DRAWN BY: ENG	APP'D: MC	A	12-10010-XX	B	1 OF 2
ITEM	DESCRIPTION/REMARKS	QTY							

THIS PRODUCT CONTAINS PROPRIETARY INFORMATION OF OCP GROUP INC. AND IS SUBJECT TO THE CONDITIONS THAT THE INFORMATION: (A) BE RETAINED IN CONFIDENCE, (B) NOT BE PRODUCED OR COPIED IN WHOLE OR IN PART. © NOT BE USED INCORPORATED IN ANY PRODUCT EXCEPT ON AN EXPRESS WRITTEN AGREEMENT WITH OCP GROUP INC.

REVISIONS

DATE	REV	ECN	DESCRIPTION	APP'D
04/06	A	--	INITIAL RELEASE	MC
10/08	B	3386	REVISE DRAWING FORMAT ACCORDING TO MFG	MC

WIRING SCHEMATIC

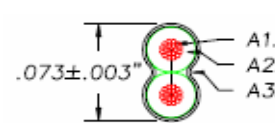


1. All pairs are individually shielded with aluminium foil.
2. Pair shields are wrapped aluminium out and are in contact with four internal drains.

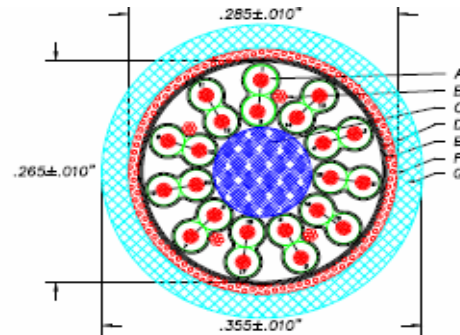
COMPONENTS

SHELL KIT PBT+GF, UL94V-O Rated, Color Black

CABLE HIFlex Clear Vu Camera Link, Jacket Color: Gloss Black
Cable is constructed for continuous, high flex applications.



- A. SUB ASSEMBLY A
- A1. 28 AWG 19x40TC UNILAY O.D. 0.01±0.001"
 - A2. 8 MIL FOAMED POLYETHYLENE INSULATION
7MIL MIN. FOAMED POLYETHYLENE INSULATION
O.D. 0.035±0.001" 80°C 30V STYLE#1589
 - A3. ALUMINIUM MYLAR SHIELD (25% OVERLAP)




- B. 28 AWG 7X0.005"TC CONCENTRIC DRAIN (TOTAL OF 4)
O.D. 0.015±0.001"
- C. POLY FILLER
- D. OPAQUE MYLAR WRAP (25% MIN OVERLAP 100% COVERAGE)
- E. ALUMINIUM MYLAR FOIL FREE EDGE SHIELD (FOIL OUT)
(25% MIN OVERLAP 100% COVERAGE)
- F. 36 AWG TC BRAIDED SHIELD (90% MINIMUM COVERAGE)
- G. 30 MIL TUBED PVC JACKET 80°C 30V 24 MIL MIN. TUBED PVC JACKET

ELECTRICAL

CONNECTION RES. ≤5.0 Ω
INSULATION RES. >5.0 MΩ
TWIST PAIR TEST

ENVIRONMENTAL

Cable Assembly is RoHS Compliant

6			UNLESS OTHERWISE SPECIFIED			TITLE:			
5		CABLE TOLERANCE	CAMERA LINK CABLE ASSEMBLY LATCH						
4		Length ± 3%	OCP PART No.: SEE ORDERING INFO.						
3			CONN. TOLERANCE	SCALE: NTS	DATE: 09/02/08	CUSTOMER: TBD			
2	CUSTOM ENGINEERED "CAMERA LINK" CABLE	A/R	Dimension ± 3%	UNITS: METER	CHK'D: CJG	SIZE	DRAWING NUMBER	REV	SHEET
1	HALF PITCH 26 2-PL POS. CENTRONICS KIT CONNECTOR ASSY.	2		DRAWN BY: ENG	APP'D: MC	A	12-10010-XX	B	2 OF 2
ITEM	DESCRIPTION/REMARKS	QTY							