

THIS PRODUCT CONTAINS PROPRIETARY INFORMATION OF OCP GROUP INC. AND IS SUBJECT TO THE CONDITIONS THAT THE INFORMATION: (A) BE RETAINED IN CONFIDENCE. (B) NOT BE PRODUCED OR COPIED IN WHOLE OR IN PART. © NOT BE USED INCORPORATED IN ANY PRODUCT EXCEPT ON AN EXPRESS WRITTEN AGREEMENT WITH OCP GROUP INC.

**REVISIONS**

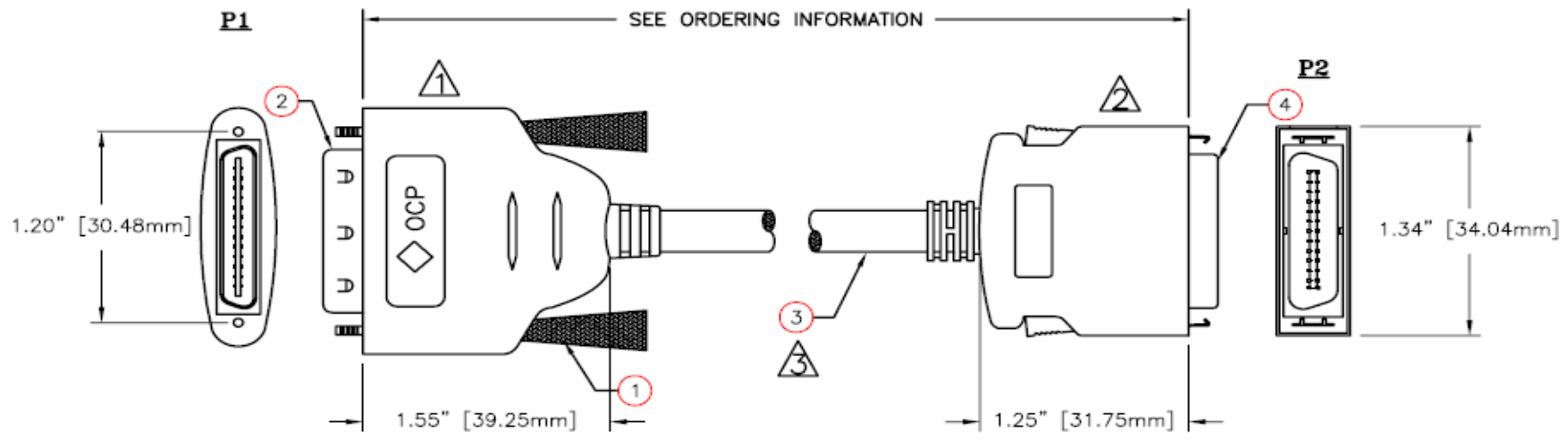
DATE	REV	ECN	DESCRIPTION	APP'D
04/06	A	--	INITIAL RELEASE	MC
10/08	B	3384	REVISE DRAWING FORMAT ACCORDING TO MFG	MC




**ORDERING INFORMATION**

**12-10012-XX**

length:  
 .3 = 3 meters  
 1 = 1 meters  
 2 = 2 meters  
 3 = 3 meters  
 5 = 5 meters  
 7 = 7 meters  
 10 = 10 meters



6			UNLESS OTHERWISE SPECIFIED		<b>TITLE:</b> CAMERA LINK CABLE, MOLDED / ASSEMBLY LATCH OCP PART No.: SEE ORDERING INFO.			
5		<b>CABLE TOLERANCE</b>						
4	HALF PITCH 26 2-PL POS. CENTRONICS KIT CONNECTOR ASSY.	1	Length ± 3%		<b>CUSTOMER:</b> TBD			
3	CUSTOM ENGINEERED "CAMERA LINK" CABLE	A/R						
2	HALF PITCH 26 2-PL POS. CENTRONICS CONNECTOR	1	<b>CONN. TOLERANCE</b>	SCALE: NTS	DATE: 09/02/08	SIZE DRAWING NUMBER REV SHEET A 12-10012-XX B 1 OF 2		
1	4-40 BLACK ANODIZED THUMBSCREWS, SLOTTED ENDS, KNURLED FINISH	2	Dimension ± 3%	UNITS: METER	CHK'D: CJG			
<b>ITEM</b>	<b>DESCRIPTION/REMARKS</b>	<b>QTY</b>		DRAWN BY: ENG	APP'D: MC			

