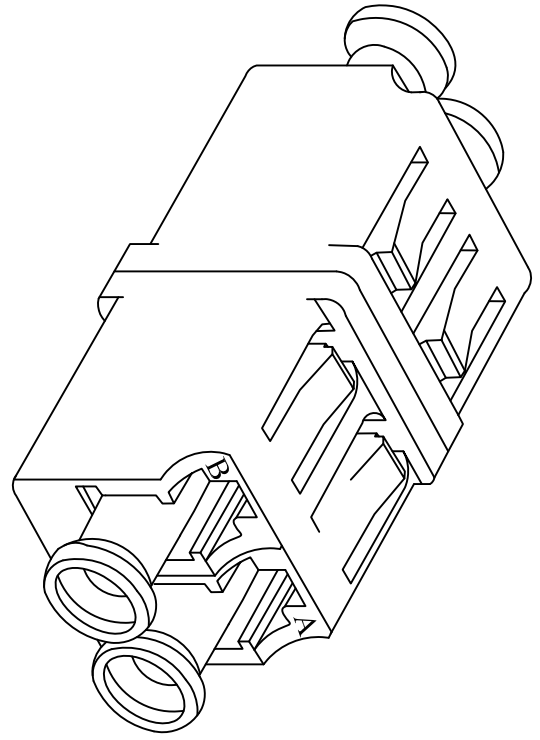
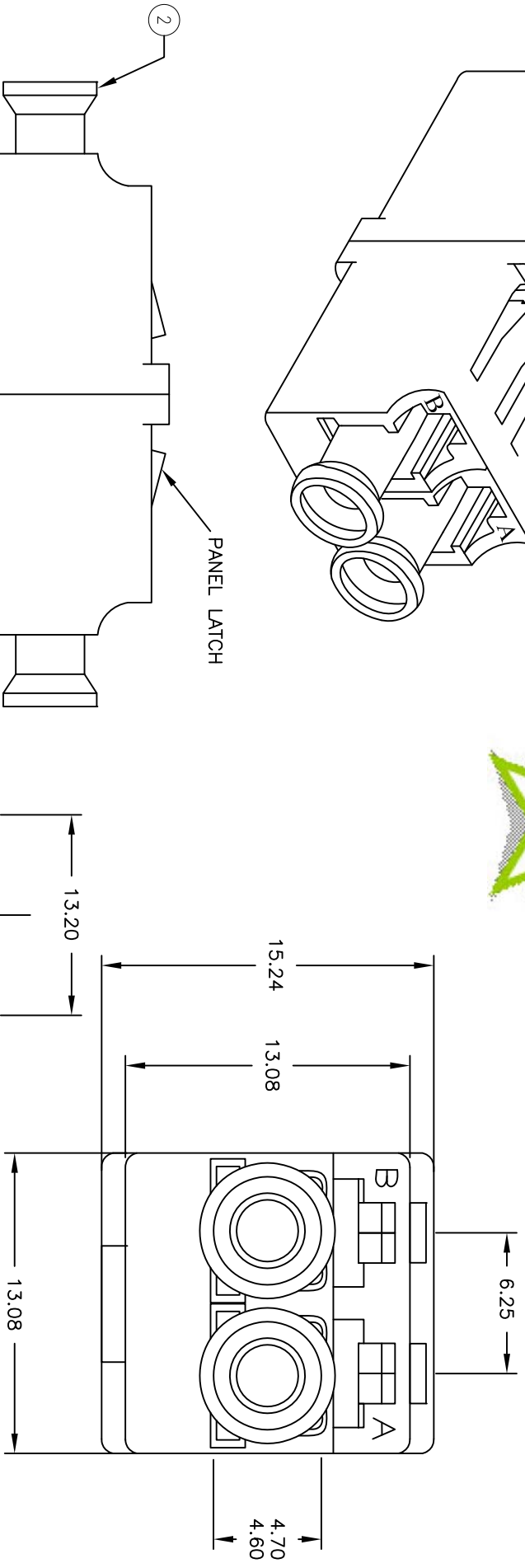


4 3 2 1



THIS PRODUCT CONTAINS PROPRIETARY INFORMATION OF OASIS COMPUTER PRODUCTS INC. AND IS SUBJECT TO THE CONDITIONS THAT THE INFORMATION: (A) BE RETAINED IN CONFIDENCE, (B) NOT BE REPRODUCED OR COPIED IN WHOLE OR IN PART, (C) NOT BE USED INCORPORATED IN ANY PRODUCT EXCEPT ON AN EXPRESS WRITTEN AGREEMENT WITH OASIS COMPUTER PRODUCTS INC.

REVISIONS			APP'D
REV	ECN	AREA	DESCRIPTION
A	-	-	INITIAL RELEASE
			APP'D CJG



Recommended Panel Cut Out (Minimum)

7					
6					
5					
4					
3					
2	Dust Cap		4		
1	LC-LC Duplex multimode adapter, beige		1		

UNLESS OTHERWISE SPECIFIED
CABLE TOLERANCE
LENGTH +/- 3%
CONNECTOR TOLERANCE
LINEAR LINEAR LINEAR



TITLE: Duplex multimode, LC-LC adapter - flangeless, panel mount
OCP PART NO.: 49-00115

SCALE: NTS
UNITS: mm
DRAWN BY: EFC
DATE: 06/09/09
CHK'D: CJG
APP'D: CJG

CUSTOMER: TBD
SIZE: A
DRAWING NUMBER: 49-00115
REV: A
SHEET: 1/1

4 3 2 1