

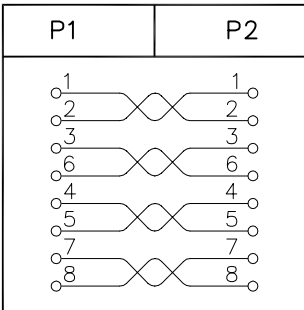
4

3

2

1

PIN ASSIGNMENTS



WIRING COLOR CODE

RJ45 PLUG (ONE END)	CONDUCTOR COLOR
PIN 1	WHITE/ORANGE
PIN 2	ORANGE
PIN 3	WHITE/GREEN
PIN 4	BLUE
PIN 5	WHITE/BLUE
PIN 6	GREEN
PIN 7	WHITE/BROWN
PIN 8	BROWN

TABLE A

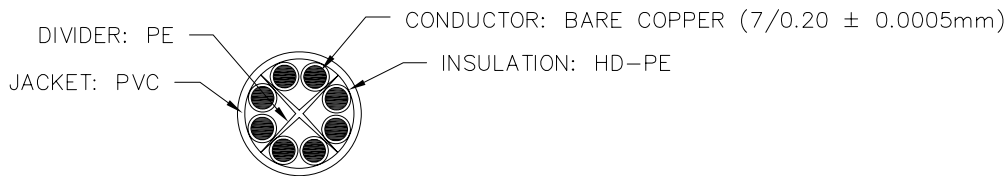
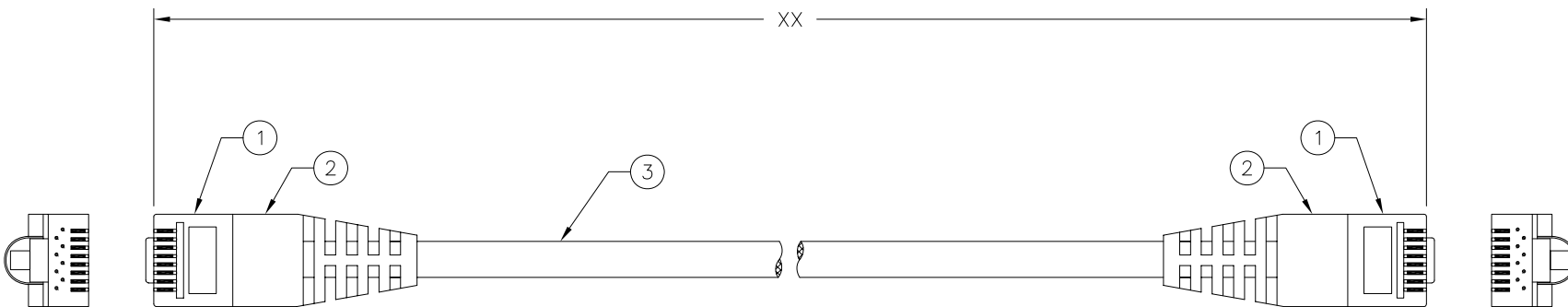
OCP PART NO.	BOOT/CABLE COLOR
52-63___-0	GREY
52-63___-1	BLUE
52-63___-2	YELLOW
52-63___-3	WHITE
52-63___-4	RED
52-63___-6	GREEN
52-63___-7	BLACK

THIS PRODUCT CONTAINS PROPRIETARY INFORMATION OF OCP GROUP, INC. AND IS SUBJECT TO THE CONDITIONS THAT THE INFORMATION: (A) BE RETAINED IN CONFIDENCE. (B) NOT BE REPRODUCED OR COPIED IN WHOLE OR IN PART. (C) NOT BE USED INCORPORATED IN ANY PRODUCT EXCEPT ON AN EXPRESS WRITTEN AGREEMENT WITH OCP GROUP, INC.

REVISIONS

DATE	REV	ECN	DESCRIPTION	APP'D
-	A	-	INITIAL RELEASE	OA

INDICATES LENGTH IN FEET: _____ INDICATES COLOR
 001=1" TO 999=999"



6		
5		
4		
3	UTP, 24AWG, 4 TP W/ PE DIVIDER, STRANDED BARE COPPER, UL ETL EIA/TIA 568A VERIFIED CATEGORY 6	1
2	PVC MOLDED HOOD, HOOD COLOR MATCH JACKET COLOR	2
1	RJ45 PLUG, W/50μ GOLD PLATING CONTACTS	2

ITEM	DESCRIPTION/REMARKS	QTY
------	---------------------	-----

UNLESS OTHERWISE SPECIFIED
 CABLE TOLERANCE

LENGTH +/- 3%

CONNECTOR TOLERANCE

.XXX± LINEAR
 .XX± LINEAR



SCALE: NTS DATE: 10/17/06
 UNITS: INCH CHK'D: NP
 DRAWN BY: OA APP'D: NP

TITLE: CATEGORY 6 PATCH CABLE

OCP PART NO.: 52-63XXX-X

CUSTOMER: TBD

SIZE	DRAWING NUMBER:	REV	SHEET
A	52-63XXX-X	A	1/1

4

3

2

1