

4

3

2

1

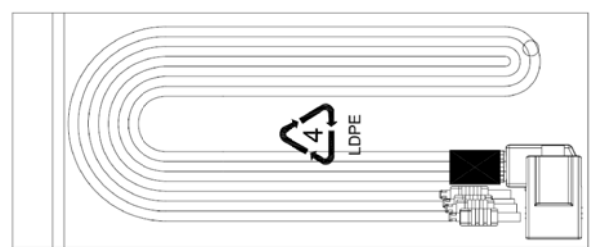
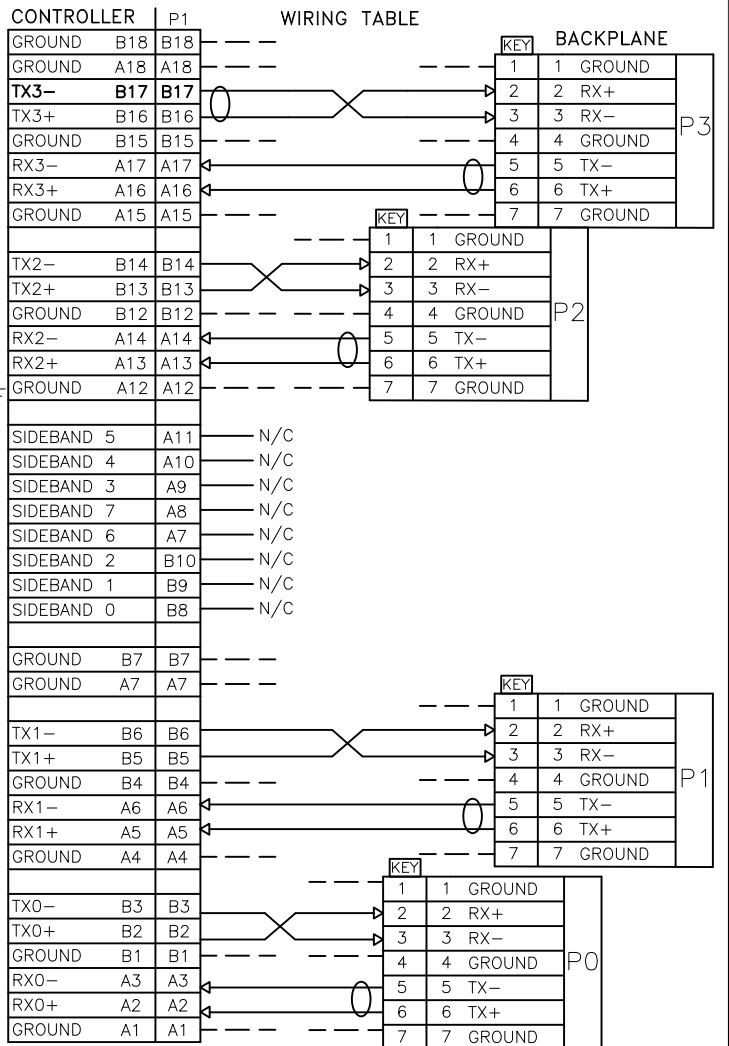
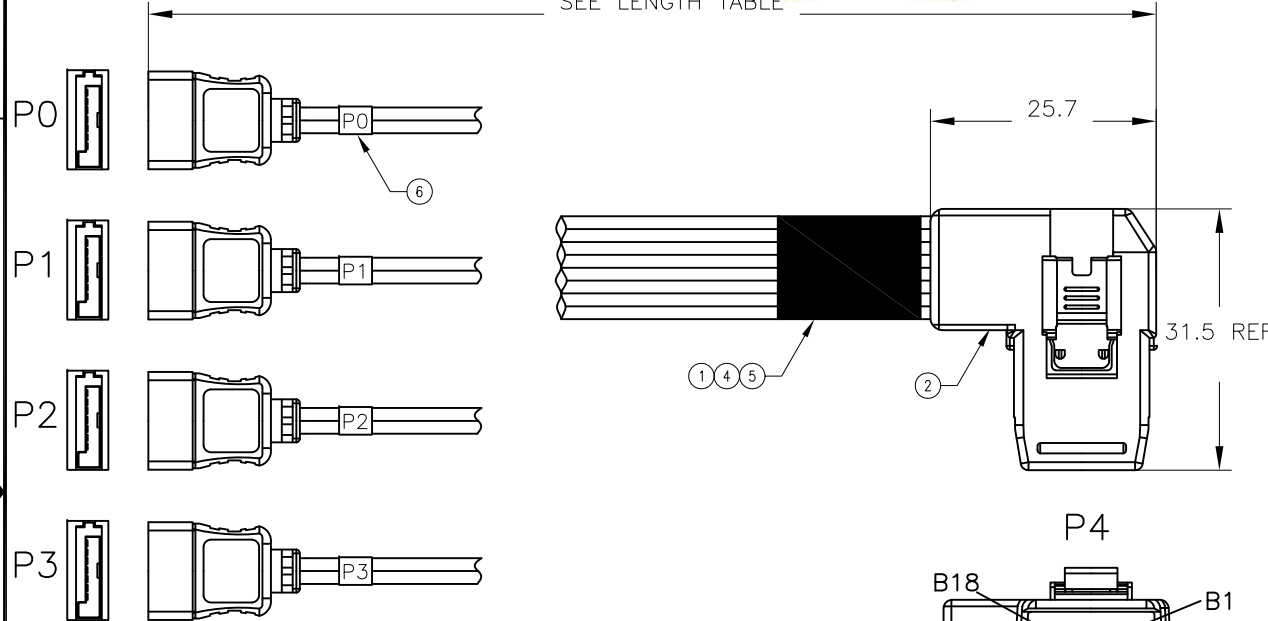
THIS PRODUCT CONTAINS PROPRIETARY INFORMATION OF OASIS COMPUTER PRODUCTS INC. AND IS SUBJECT TO THE CONDITIONS THAT THE INFORMATION: (A) BE RETAINED IN CONFIDENCE. (B) NOT BE REPRODUCED OR COPIED IN WHOLE OR IN PART. (C) NOT BE USED INCORPORATED IN ANY PRODUCT EXCEPT ON AN EXPRESS WRITTEN AGREEMENT WITH OASIS COMPUTER PRODUCTS INC.

REVISONS				
REV	ECN	AREA	DESCRIPTION	APP'D
A	-	-	INITIAL RELEASE	CJG

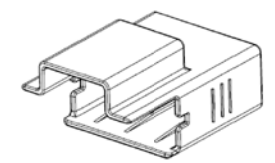
LENGTH TABLE	
P/N (METERS)	LENGTH
60-00346-001	0.25
60-00346-002	0.50
60-00346-003	1.00



SEE LENGTH TABLE




PACKAGE



DUST COVER

7		
6	LABEL	4
5	H.S TUBE APPROVED, BLACK COLOR, L=25mm REF.	A/R
4	ACETATE CLOTH TAPE	A/R
3	SATA 7PIN CABLE END CONNECTOR (15U") & OVERMOLD	4
2	SFF 8087 MINI SAS 36 PIN CONNECTOR (30") W/ LATCH & OVERMOLD	1
1	TWIN-AX CABLE (28AWG*2PAIR), UL APPROVED	A/R
ITEM	DESCRIPTION/REMARKS	QTY

UNLESS OTHERWISE SPECIFIED	
CABLE TOLERANCE	
LENGTH +/- 3%	
CONNECTOR TOLERANCE	
.xxx±	LINEAR
xxx+	LINEAR



SCALE: NTS DATE: 05/21/09
 UNITS: METER CHK'D: CJG
 DRAWN BY: EFC APP'D: CJG

TITLE: MINI SAS 4i TO 4* SATA FANOUT CABLE ASS'Y (MINI SAS ON CONTROLLER W/O SIDEBAND)			
OCP PART NO.: 60-00346-XXX			
CUSTOMER: TBD			
SIZE	DRAWING NUMBER:	REV	SHEET
A	60-00346-XXX	A	1/1

4

3

2

1