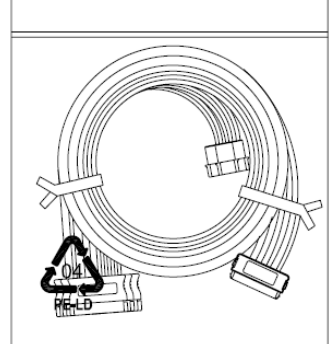
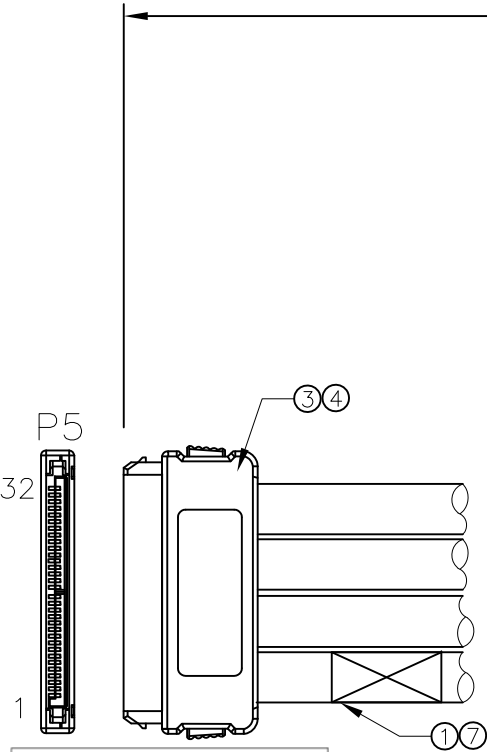
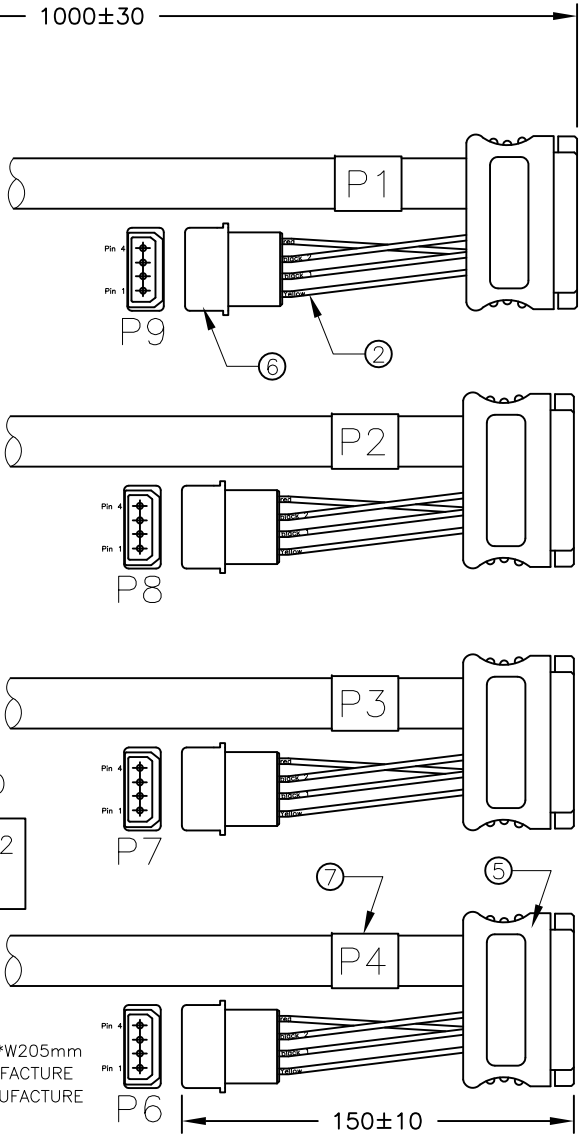
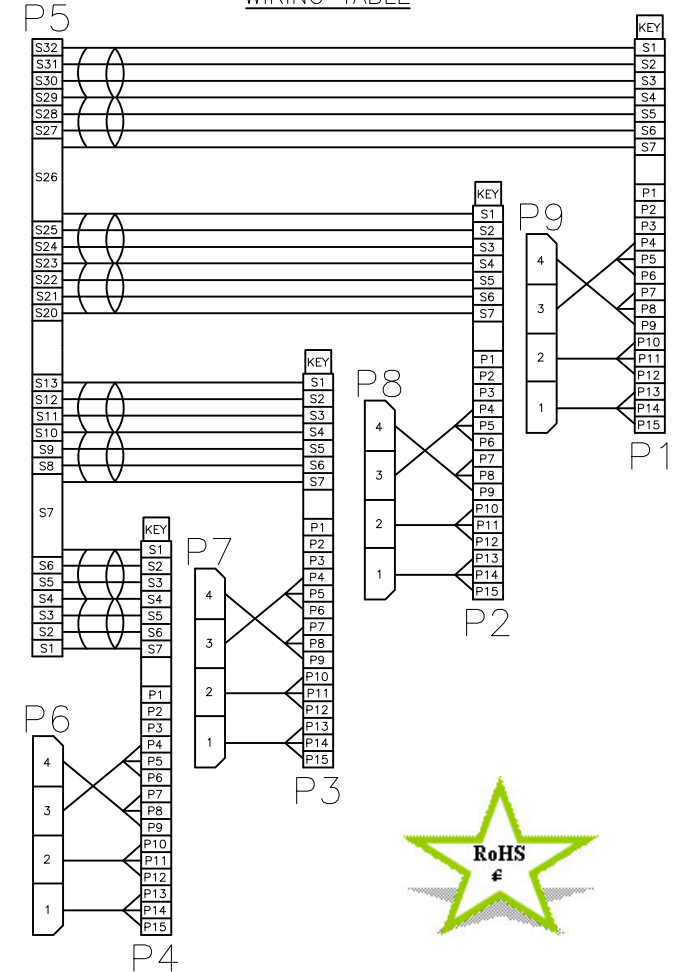


THIS PRODUCT CONTAINS PROPRIETARY INFORMATION OF OCP GROUP, INC. AND IS SUBJECT TO THE CONDITIONS THAT THE INFORMATION: (A) BE RETAINED IN CONFIDENCE. (B) NOT BE REPRODUCED OR COPIED IN WHOLE OR IN PART. (C) NOT BE USED INCORPORATED IN ANY PRODUCT EXCEPT ON AN EXPRESS WRITTEN AGREEMENT WITH OCP GROUP, INC.

REVISIONS

REV	ECN	AREA	DESCRIPTION	APP'D
A	-	-	INITIAL RELEASE	CJG

WIRING TABLE



LABEL INFO
60-00850-02
OCP YYWW

NOTE:
1. ZIP PE BAG: L240*W205mm
2. YY=YEAR OF MANUFACTURE
3. WW=WEEK OF MANUFACTURE

PACKAGE

ITEM	DESCRIPTION/REMARKS	QTY	UNLESS OTHERWISE SPECIFIED	SCALE: NTS	DATE: 01/20/09	TITLE: SFF 8484 32PIN TO 4 SFF 8482 SAS 29 PIN CABLE A'SSY
7	LABEL	5	CABLE TOLERANCE	INCH	CHK'D: CJG	OCP PART NO.: 60-00850-02
6	POWER 4P CONN KIT (1 HOUSING & 4 TERMINALS)	4	UP TO 12" [304.8] .5" [12.7]	BY: EFC	APP'D: CJG	
5	SFF 8482 SAS 29PIN RECEPTACLE CABLE END CONNECTOR W/OVERMOLD	4	ABOVE 12" [304.8] .75" [19.05]			SIZE: C
4	SFF 8484 32PIN STRAIGHT COVER KIT	1	ABOVE 24" [609.6] 5%			DRAWING NUMBER: 60-00850-02
3	SFF 8484 32PIN RECEPTACLE CABLE END CONNECTOR	1	ANGLES = ±1/2 DEGREE			REV: A
2	WIRE 18AWG X4: (RED*1, YELLOW*1, BLACK*2), UL APPROVED	A/R	CONNECTOR TOLERANCE			SHEET: 1/1
1	S-ATA CABLE (26AWGX2PAIR), UL APPROVED RED COLOR	A/R	.XXX± LINEAR .XX± LINEAR			



SCALE: NTS DATE: 01/20/09
UNITS: INCH CHK'D: CJG
DRAWN BY: EFC APP'D: CJG

TITLE: SFF 8484 32PIN TO 4 SFF 8482 SAS 29 PIN CABLE A'SSY
OCP PART NO.: 60-00850-02
CUSTOMER: TBD
SIZE: C
DRAWING NUMBER: 60-00850-02
REV: A
SHEET: 1/1