

WIRING SCHEMATIC

P1		P2
1	24AWG RED	1
2	28AWG WHITE	2
3	28AWG GREEN	3
4	24AWG BLACK	4
SHELL	DRAIN WIRE	SHELL

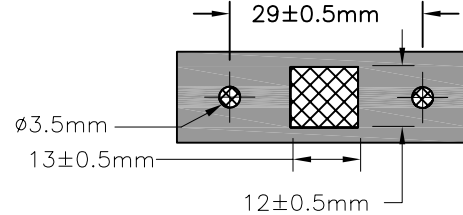


THIS PRODUCT CONTAINS PROPRIETARY INFORMATION OF OCP GROUP, INC. AND IS SUBJECT TO THE CONDITIONS THAT THE INFORMATION: (A) BE RETAINED IN CONFIDENCE. (B) NOT BE REPRODUCED OR COPIED IN WHOLE OR IN PART. (C) NOT BE USED INCORPORATED IN ANY PRODUCT EXCEPT ON AN EXPRESS WRITTEN AGREEMENT WITH OCP GROUP, INC.

REVISIONS

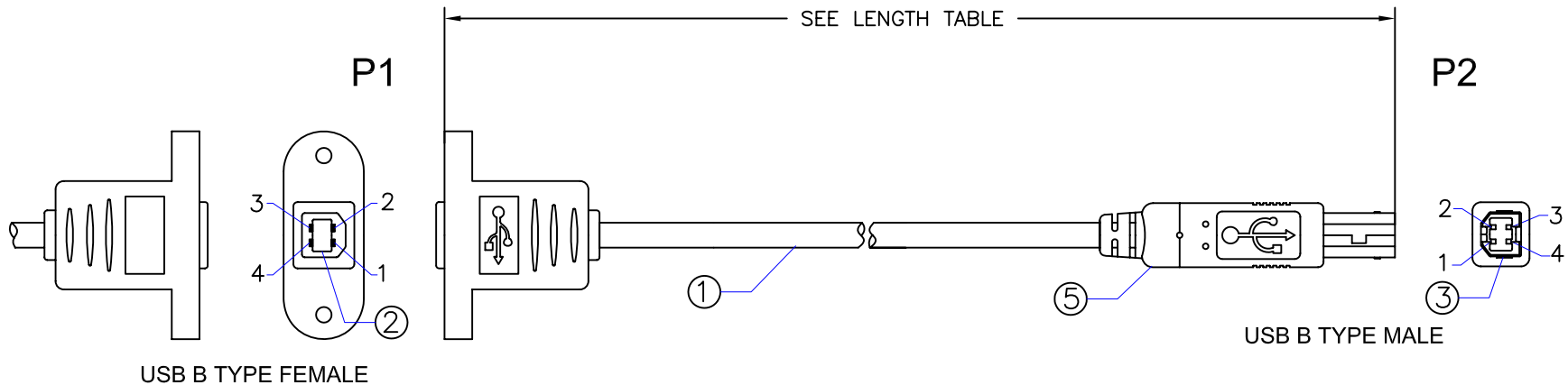
DATE	REV	AREA	DESCRIPTION	APP'D
08/09	A	-	INITIAL RELEASE	CJG

RECOMMENDED PANEL CUTOUT



LENGTH TABLE

PART NO.	LENGTH
62-00185-01	1FT±0.5IN
62-00185-02	2FT±1.0IN
62-00185-03	3FT±1.0IN
62-00185-06	6FT±1.0IN



ITEM	DESCRIPTION/REMARKS	QTY
7		
6		
5		
4	NUT AND SCREW IN POLYBAG	2
3	USB B TYPE MALE	1
2	USB B TYPE FEMALE	1
1	UL2725, 28AWG*1P+24AWG*2C, AL/FOIL AND BRAID SHIELDING, JACKET PVC BLACK	A/R

UNLESS OTHERWISE SPECIFIED	
CABLE TOLERANCE	
LENGTH +/- 3%	
CONNECTOR TOLERANCE	
.XXX±	LINEAR
.XX±	LINEAR

SCALE: FREE DATE: 08/31/09
 UNITS: MM CHK'D: CJG
 DRAWN BY: EFC APP'D: CJG

TITLE: USB B PANEL MNT EXTENSION			
OCP PART NO.: 62-00185-XX			
CUSTOMER: TBD			
SIZE	DRAWING NUMBER:	REV	SHEET
A	62-00185-XX	A	1/1