

4

3

2

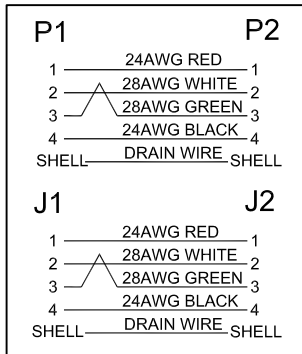
1

THIS PRODUCT CONTAINS PROPRIETARY INFORMATION OF OCP GROUP, INC. AND IS SUBJECT TO THE CONDITIONS THAT THE INFORMATION: (A) BE RETAINED IN CONFIDENCE. (B) NOT BE REPRODUCED OR COPIED IN WHOLE OR IN PART. (C) NOT BE USED INCORPORATED IN ANY PRODUCT EXCEPT ON AN EXPRESS WRITTEN AGREEMENT WITH OCP GROUP, INC.

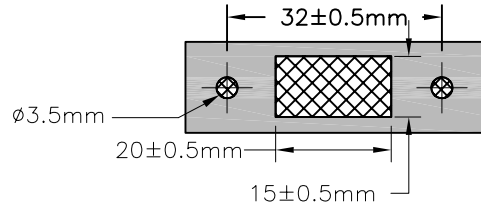
**REVISIONS**

DATE	REV	AREA	DESCRIPTION	APP'D
08/09	A	-	INITIAL RELEASE	CJG

**WIRING SCHEMATIC**



**RECOMMENDED PANEL CUTOUT**



**LENGTH TABLE**

PART NO.	LENGTH
62-00187-01	1FT±0.5INCH
62-00187-02	2FT±1.0INCH
62-00187-03	3FT±1.0INCH
62-00187-04	4FT±1.5INCH
62-00187-06	6FT±2.0INCH

D

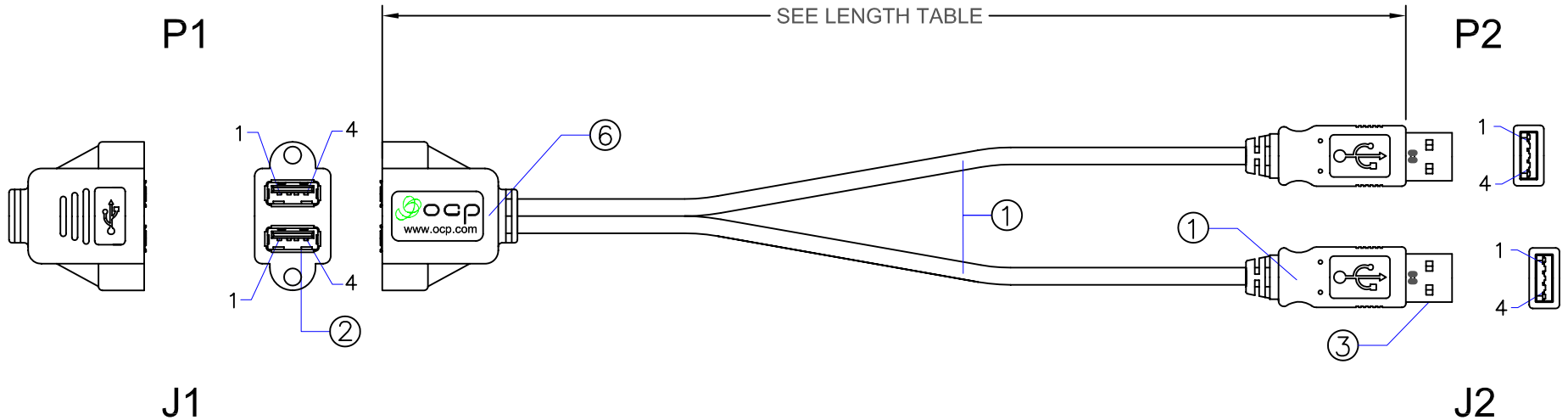
D

C

C

B

B



A

A

ITEM	DESCRIPTION/REMARKS	QTY
7		
6	PVC 90 SHORE A MOLDING	A/R
5	#4-40 SCREW COME SEPARATE, IN A POLYBAG	2
4	#4-40 NUT (BRASS)	2
3	USB A TYPE MALE	2
2	USB A TYPE FEMALE	2
1	UL2725, 28AWG*1P+24AWG*2C, AL/FOIL AND BRAID SHIELDING, JACKET PVC BLACK	A/R

UNLESS OTHERWISE SPECIFIED	
CABLE TOLERANCE	LENGTH +/- 3%
CONNECTOR TOLERANCE	.XXX± LINEAR
	.XX± LINEAR



SCALE: FREE	DATE: 08/31/09
UNITS: MM	CHK'D: CJG
DRAWN BY: EFC	APP'D: CJG

TITLE: USB A DUAL PORT PANEL MOUNT EXT.			
OCP PART NO.: 62-00187-XX			
CUSTOMER: TBD			
SIZE: A	DRAWING NUMBER: 62-00187-XX	REV: A	SHEET: 1/1

4

3

2

1