

4

3

2

1

WIRING

OBD II MALE	WIRE COLOR
2	BLACK
4	BROWN
5	RED
6	ORANGE
7	YELLOW
10	GREEN
14	BLUE
15	PURPLE
16	GREY



THIS PRODUCT CONTAINS PROPRIETARY INFORMATION OF OCP GROUP, INC. AND IS SUBJECT TO THE CONDITIONS THAT THE INFORMATION: (A) BE RETAINED IN CONFIDENCE. (B) NOT BE REPRODUCED OR COPIED IN WHOLE OR IN PART. (C) NOT BE USED INCORPORATED IN ANY PRODUCT EXCEPT ON AN EXPRESS WRITTEN AGREEMENT WITH OCP GROUP, INC.

REVISIONS

DATE	REV	AREA	DESCRIPTION	APP'D
08/08	A	-	INITIAL RELEASE	CJG

D

D

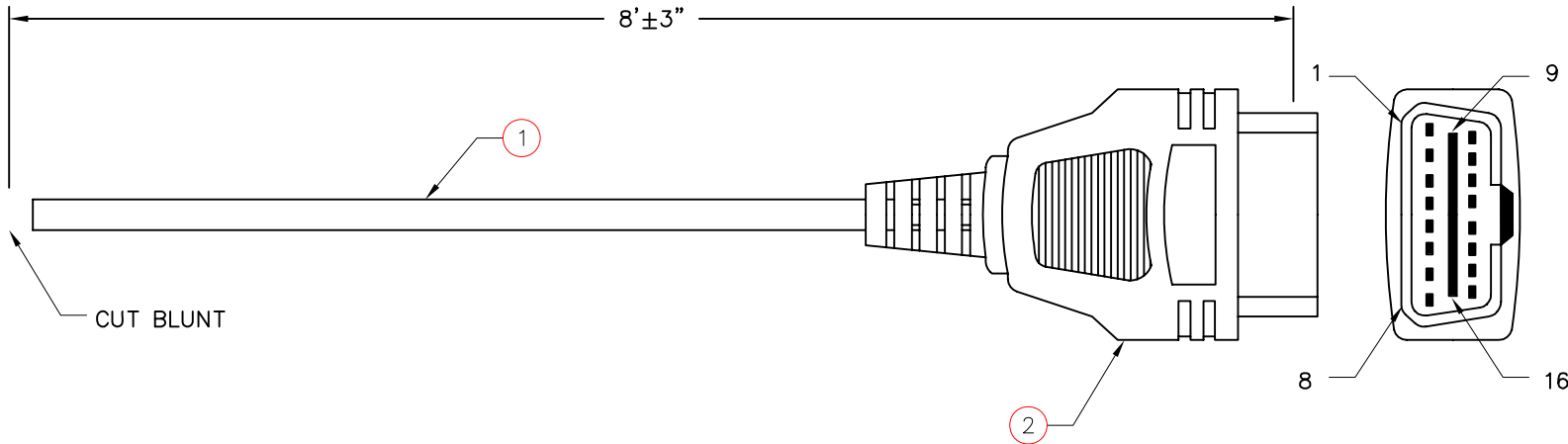
C

C

B

B

FRONT VIEW



A

A

6		
5		
4		
3		
2	OBD 16PIN MALE PLUG, SOLDER TYPE	1
1	UL2464, 16C, 24AWG, BLACK PVC JACKET	1
ITEM	DESCRIPTION/REMARKS	QTY

UNLESS OTHERWISE SPECIFIED	
CABLE TOLERANCE	
LENGTH +/- 3%	
CONNECTOR TOLERANCE	
.XXX±	LINEAR
.XX±	LINEAR



SCALE: FREE DATE: 08/28/2008
 UNITS: INCH CHK'D: CJG
 DRAWN BY: LAO APP'D: MJC

TITLE:			
OBDII Male 8' to blunt cut			
OCP PART NO.: 11760-03-300-09			
CUSTOMER: OBD			
SIZE	DRAWING NUMBER:	REV	SHEET
A	11760-03-300-09	A	1/1

4

3

2

1