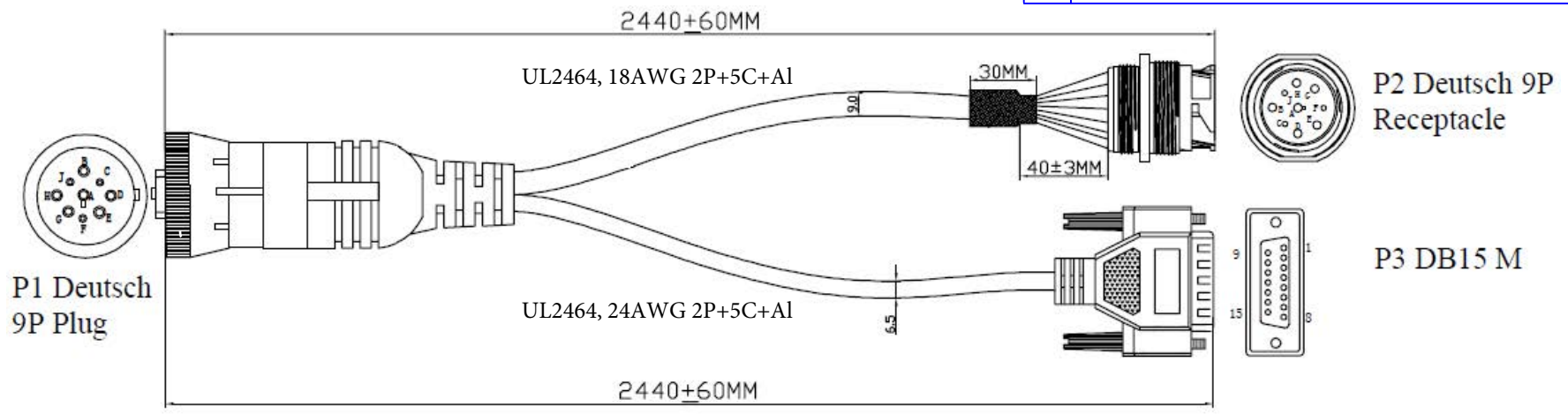


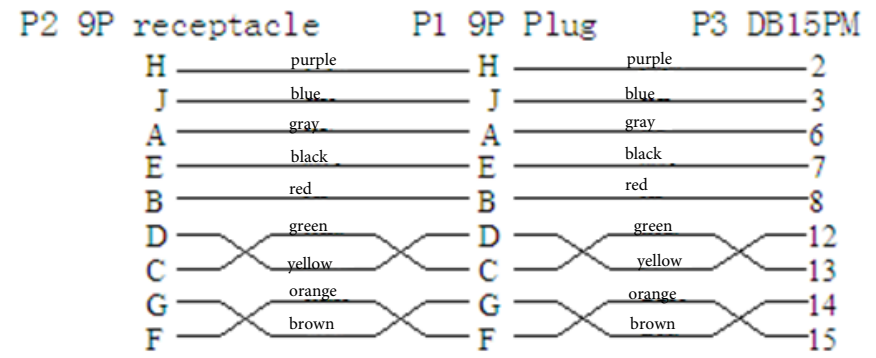
REVISIONS		
Rev.	DESCRIPTION	DATE
A	INITIAL RELEASE	10/26/2016



TESTING

1. Any Open, Short Miswiring & Intermittent are not permitted.
2. Contact Resistance: 5 Ω.
3. Insulation Resistance: 5MΩ/300V DC MIN.
4. This product is RoHS compliant.

PIN ASSIGNMENT



<small>UNLESS OTHERWISE SPECIFIED: DIMENSIONS ARE IN MILLIMETERS [INCH] TOLERANCE ARE: X ±0.5 ANGULAR ±0.5° XX ±0.20 XXX ±0.1000</small>	DRAWN BY: Joe Perez		
	CHECKED BY:		
APPROVED BY: O. Acuña	TITLE: CAN TYPE II J1939 M/F ASSEMBLY DB15M, 9P F		
PROPRIETARY AND CONFIDENTIAL <small>THE INFORMATION CONTAINED IN THIS DRAWING IS THE SOLE PROPERTY OF OCP GROUP INC. PARTIAL OR TOTAL REPRODUCTION WITHOUT THE WRITTEN PERMISSION OF OCP GROUP INC IS PROHIBITED.</small>	OCP P/N: 11760-03-306		
	DRAWING NO:	REV: A	
	UNITS: MM	SCALE: FREE	SIZE: A4