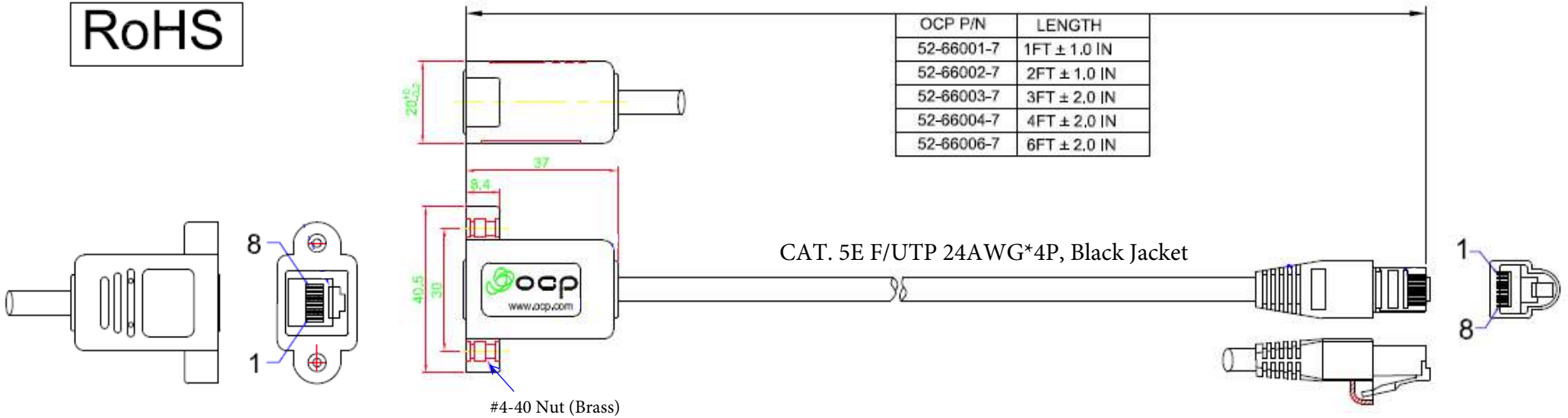


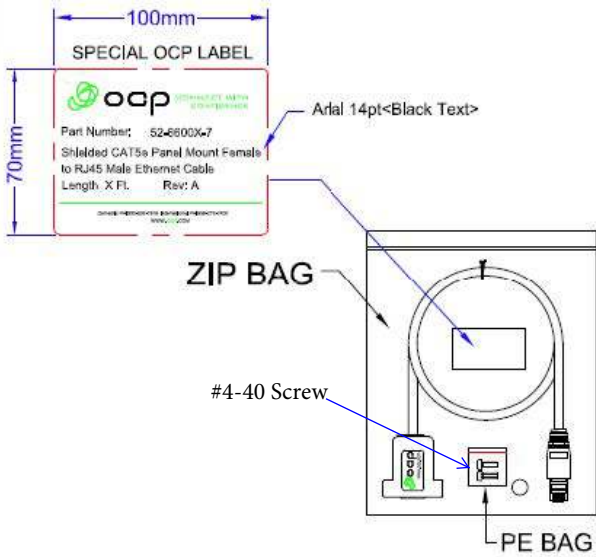
Mold Tool Dimension in mm

RoHS

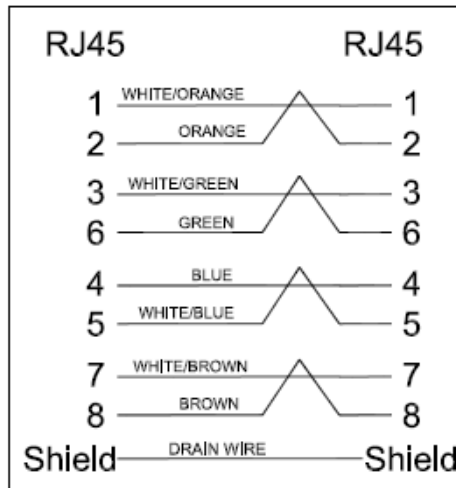


RJ-45 JACK

RJ-45 PLUG



WIRE LIST



REVISIONS		
Rev.	DESCRIPTION	DATE
A	INITIAL RELEASE	5-9-16

UNLESS OTHERWISE SPECIFIED: DIMENSIONS ARE IN MILLIMETERS [INCH] TOLERANCE ARE: X ±0.5 ANGULAR ±0.5° XX ±0.20 XXX ±0.1000	DRAWN BY: Joe Perez	
	CHECKED BY:	
	APPROVED BY: O. Acuña	TITLE: CBL, CAT5e Panel Mount Ethernet Shielded
PROPRIETARY AND CONFIDENTIAL		
THE INFORMATION CONTAINED IN THIS DRAWING IS THE SOLE PROPERTY OF OCP GROUP INC. PARTIAL OR TOTAL REPRODUCTION WITHOUT THE WRITTEN PERMISSION OF OCP GROUP INC IS PROHIBITED.		
OCP P/N: 52-6600X-7	DRAWING NO:	REV: A
UNITS: MM	SCALE: FREE	SIZE: A4
SHEET 1 OF 1		