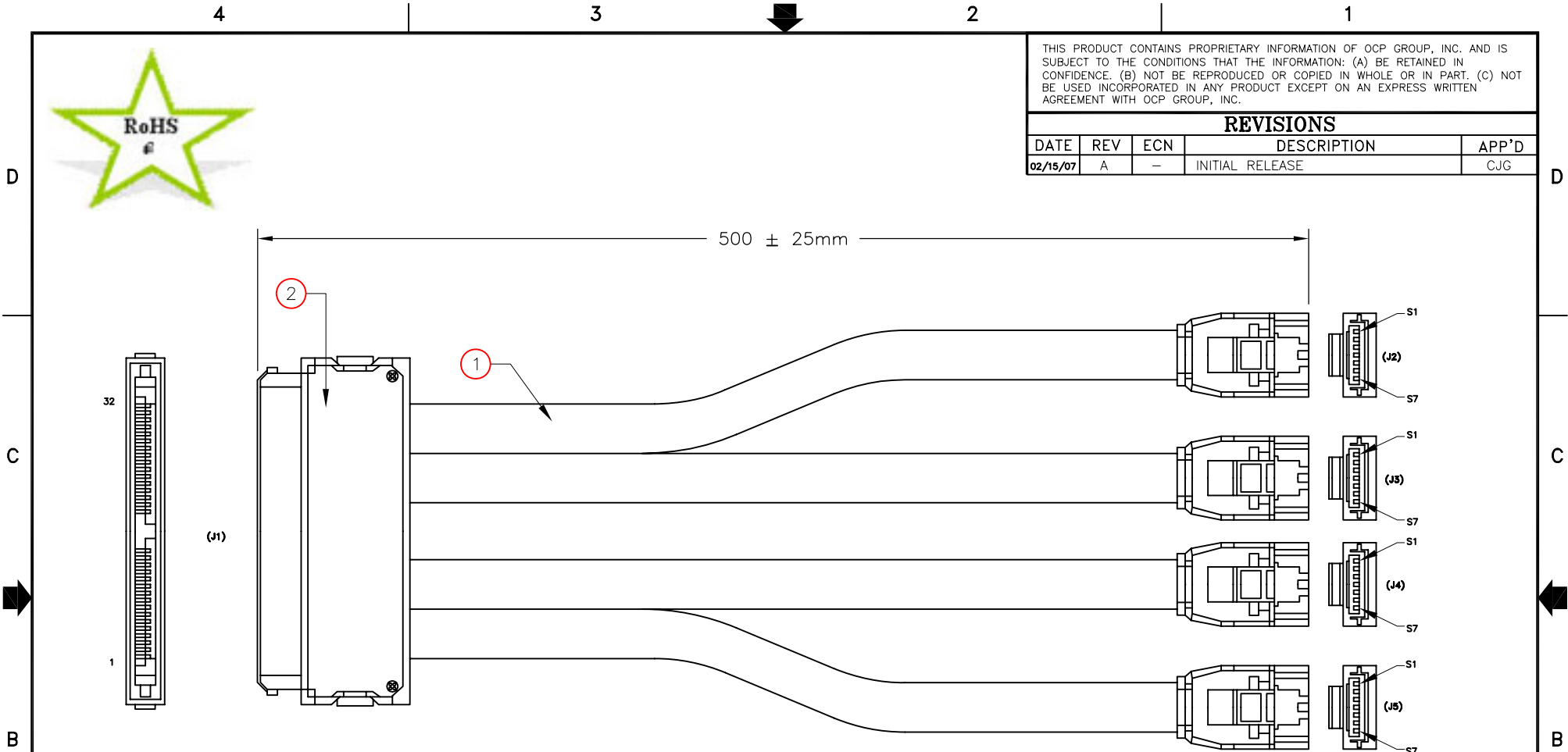




THIS PRODUCT CONTAINS PROPRIETARY INFORMATION OF OCP GROUP, INC. AND IS SUBJECT TO THE CONDITIONS THAT THE INFORMATION: (A) BE RETAINED IN CONFIDENCE. (B) NOT BE REPRODUCED OR COPIED IN WHOLE OR IN PART. (C) NOT BE USED INCORPORATED IN ANY PRODUCT EXCEPT ON AN EXPRESS WRITTEN AGREEMENT WITH OCP GROUP, INC.

REVISIONS				
DATE	REV	ECN	DESCRIPTION	APP'D
02/15/07	A	-	INITIAL RELEASE	CJG




NOTE:

1. ELECTRICAL PERFORMANCE:

- 1.1 IMPEDANCE: 100+/-150(MATED CONNECTOR)
- 1.2 INSERTION LOSS: 6db MAX. BETWEEN 10 AND 4500 MHz
- 1.3 CROSSTALK(NEXT): -26db MAX. BETWEEN 10 AND 4500 MHz
- 1.4 PROPAGATION DELAY SKEW: 10ps MAX
- 1.5 RISE TIME: 8SpS MAX

2. ELECTRICAL TEST:

- 2.1 100% OPEN, SHORT TEST
- 2.2 INSULATION RESISTANCE: 10 MEGA OHM MIN
- 2.3 CONTACT RESISTANCE: 1 OHM
- 2.4 HIPOT: DC 300V

5			UNLESS OTHERWISE SPECIFIED		TITLE: CBL, SFF-8484 TO 4xSATA W/LATCHES, .5 M	
4	HOOD, PVC MOLDED	4	CABLE TOLERANCE		OCP PART NO.: 60-00820-01	
3	SATA 7 POS. FEMALE CONNECTOR, GOLD PLATED LATCH TYPE	4	UP TO 12" [304.8] .5" [12.7]		CUSTOMER: TBD	
2	SAS 32 POS, FEMALE CONNECTOR, CONTACT: COPPER ALLOY, BOLD PLATED, HOOD: ABS COVER ASS,Y TYPE, W/ LATCH	1	ABOVE 12" [304.8] .75" [19.05]		SCALE: NTS	DATE: 08/02/07
1	UL, SERIAL ATA CABLE, 26AWG*2PAIRS COLOR: RED	4	ABOVE 24" [609.6] 5%		UNITS: mm	CHK'D: CJG
			ANGLES = ±1/2 DEGREE	DRAWN BY: LAO	APP'D: MC	
			CONNECTOR TOLERANCE	SIZE DRAWING NUMBER: REV SHEET		
			.XXX± LINEAR	A 60-00820-01 A 1/2		
			.XX± LINEAR			

4

3

2

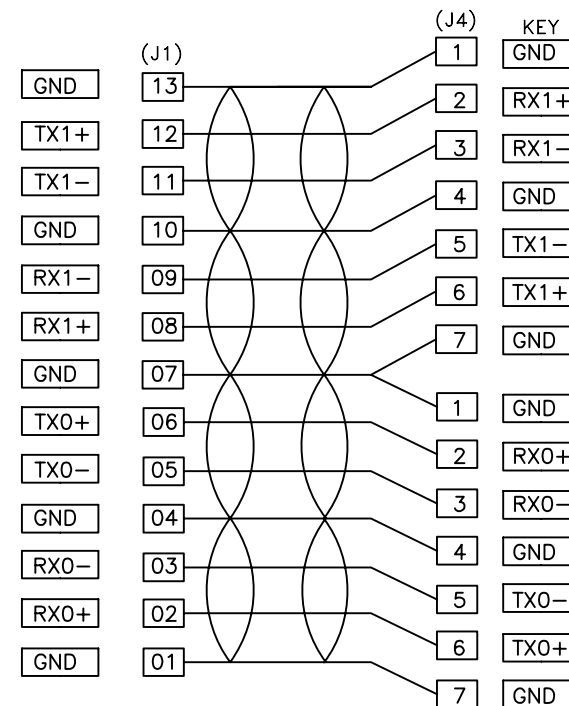
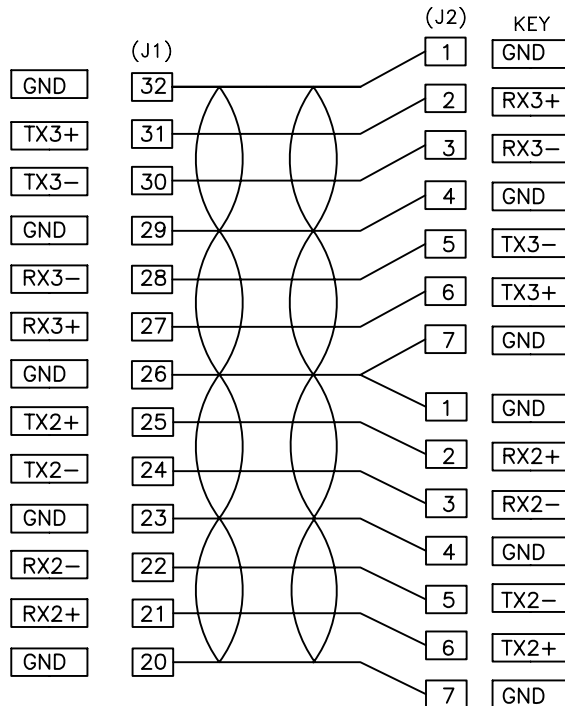
1

THIS PRODUCT CONTAINS PROPRIETARY INFORMATION OF OCP GROUP, INC. AND IS SUBJECT TO THE CONDITIONS THAT THE INFORMATION: (A) BE RETAINED IN CONFIDENCE, (B) NOT BE REPRODUCED OR COPIED IN WHOLE OR IN PART, (C) NOT BE USED INCORPORATED IN ANY PRODUCT EXCEPT ON AN EXPRESS WRITTEN AGREEMENT WITH OCP GROUP, INC.

REVISIONS

DATE	REV	ECN	DESCRIPTION	APP'D
08-02-07	A	-	INITIAL RELEASE	CJG

WIRE LIST



5

4

3

2

1

ITEM	DESCRIPTION/REMARKS	QTY
5		
4	HOOD, PVC MOLDED	4
3	SATA 7 POS. FEMALE CONNECTOR, GOLD PLATED LATCH TYPE	4
2	SAS 32 POS, FEMALE CONNECTOR, CONTACT: COPPER ALLOY, BOLD PLATED, HOOD: ABS COVER ASS,Y TYPE, W/ LATCH	1
1	UL, SERIAL ATA CABLE, 26AWG*2PAIRS COLOR: RED	4

UNLESS OTHERWISE SPECIFIED

CABLE TOLERANCE

UP TO 12" [304.8]	.5" [12.7]
ABOVE 12" [304.8]	.75" [19.05]
ABOVE 24" [609.6]	5%
ANGLES = ±1/2 DEGREE	

CONNECTOR TOLERANCE

.XXX±	LINEAR
.XX±	LINEAR



SCALE: NTS DATE: 08/02/07
 UNITS: mm CHK'D: CJG
 DRAWN BY: LAO APP'D: MC

TITLE: CBL,
SFF-8484 TO
4xSATA W/LATCHES,
.5 M

OCP PART NO.: 60-00820-01

CUSTOMER: TBD

SIZE	DRAWING NUMBER:	REV	SHEET
A	60-00820-01	A	2/2

4

3

2

1