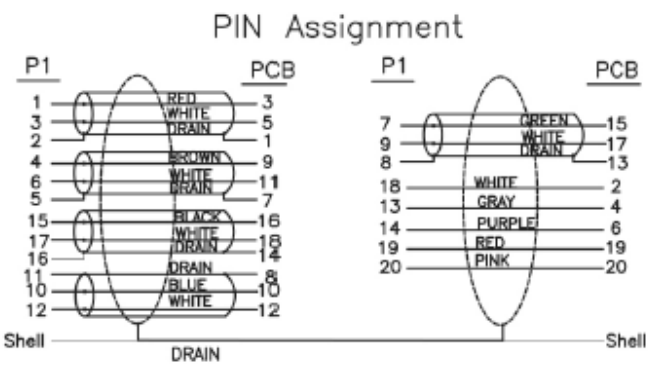
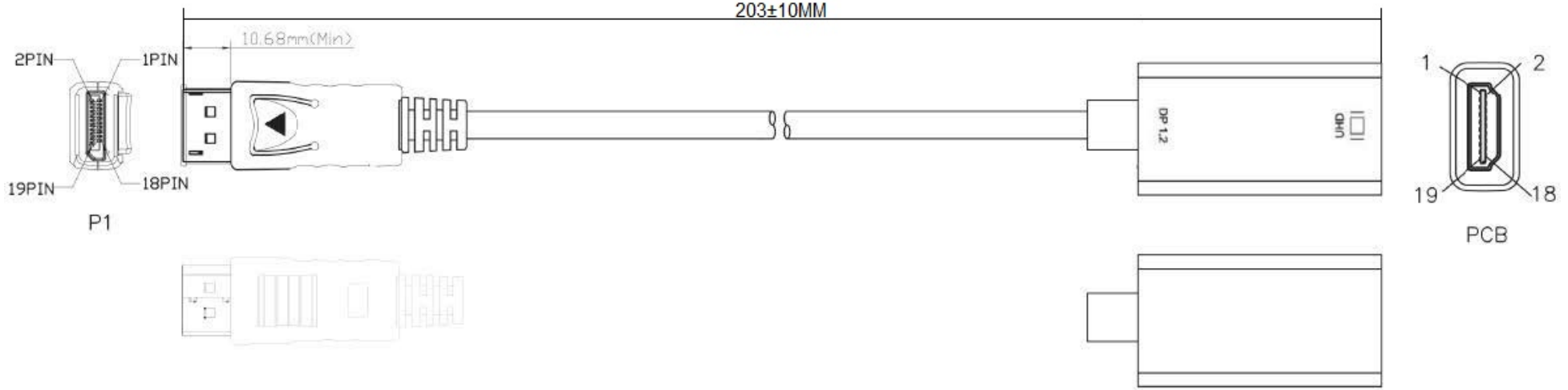


REVISIONS		
Rev.	DESCRIPTION	DATE
A	INITIAL RELEASE	5/13/2019



ELECTRICAL TEST:

- 100% OPEN & SHORT & MIS WIRE TEST
- CONTACT RESISTANCE: 3 OHM(MAX)
- INSULATION RESISTANCE: 10M OHM(MIN)
- HI-POT TEST: DC 300V/10ms

UNLESS OTHERWISE SPECIFIED: DIMENSIONS ARE IN MILLIMETERS [INCH] TOLERANCE ARE: X ±0.5 ANGULAR ±0.5° XX ±0.20 XXX ±0.1000	DRAWN BY: J. Perez	
	CHECKED BY:	
	APPROVED BY:	TITLE: DISPLAYPORT TO HDMI ADAPTER
PROPRIETARY AND CONFIDENTIAL THE INFORMATION CONTAINED IN THIS DRAWING IS THE SOLE PROPERTY OF OCP GROUP INC. PARTIAL OR TOTAL REPRODUCTION WITHOUT THE WRITTEN PERMISSION OF OCP GROUP INC IS PROHIBITED.	OCP P/N: 61-00220	
	DRAWING NO:	REV: A
	UNITS: MM	SCALE: FREE
		SHEET 1 OF 1