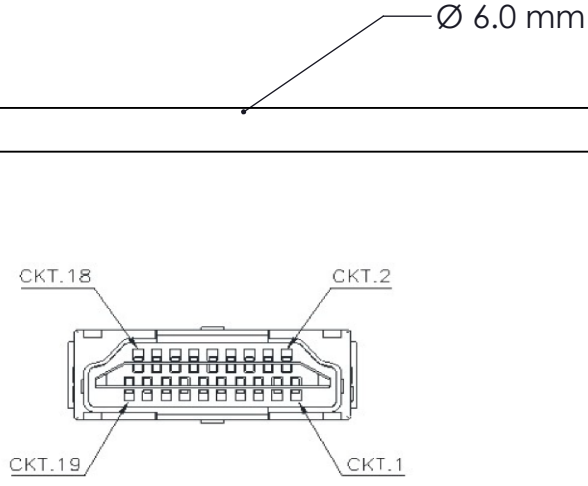
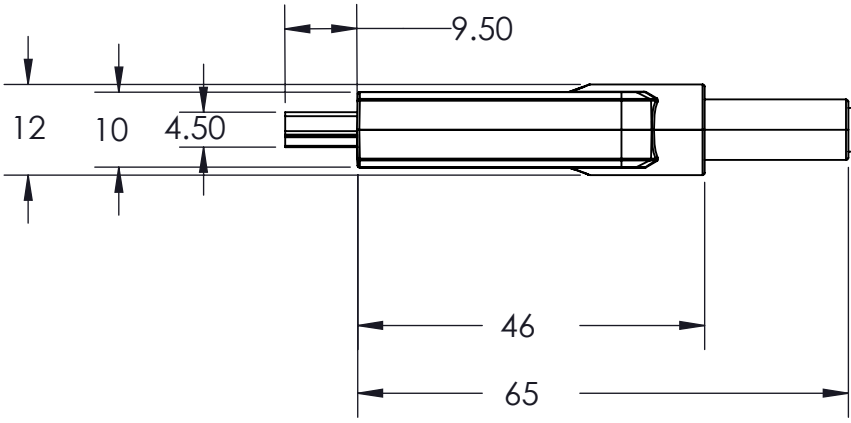
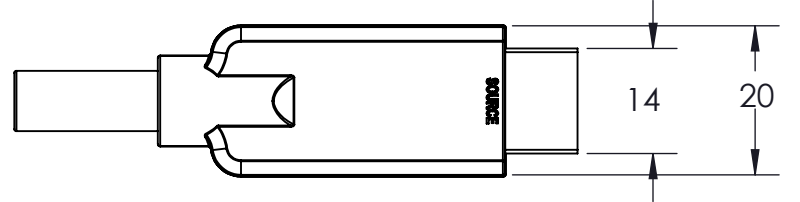
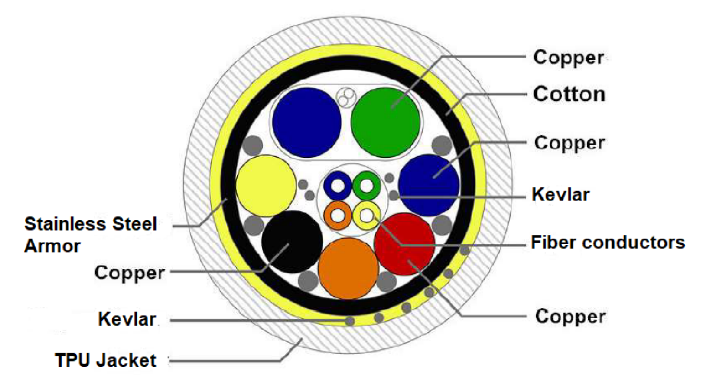


REVISIONS		
Rev.	DESCRIPTION	DATE
A	INITIAL RELEASE	5/6/2020

Part Number	Length
61-00260-10	10 Meter
61-00260-25	25 Meter
61-00260-50	50 Meter



Bulk Cable Cross Section



HDMI Type A Connector Pin Assignment

PIN	Function	PIN	Function
1	T.M.D.S. Data 2+	11	TMDS Clock Shield
2	T.M.D.S. Data 2 Shield	12	TMDS Clock-
3	T.M.D.S. Data 2-	13	CEC
4	T.M.D.S. Data 1+	14	Utility
5	T.M.D.S. Data 1 Shield	15	SCL
6	T.M.D.S. Data 1-	16	SDA
7	T.M.D.S. Data 0+	17	DDC/CEC Ground
8	T.M.D.S. Data 2 Shield	18	+5V Power
9	T.M.D.S. Data 0-	19	Hot Plug Detect
10	TMDS Clock+		

Description:

Armored HDMI 2.0 AOC 4K/2K@60Hz, Support EDID/HDCP, Steel Armored cable 100 Kg (continuous contact) 200kg (intermittent contact). Crush resistant. TPU Jacketed, Kevlar reinforced. Operating Temp. -40°C ~ 80°C

UNLESS OTHERWISE SPECIFIED: DIMENSIONS ARE IN MILLIMETERS TOLERANCES ARE: .X ±0.5 ANGULAR ±0.5° .XX ±0.20 .XXX ±0.100	DRAWN BY J. P. CHECKED BY O. A. APPROVED BY		
	OCP P/N: 61-00260-XX CUSTOMER P/N: CUSTOMER REV LEVEL: CUSTOMER NAME: OCP eSTORE		
PROPRIETARY AND CONFIDENTIAL THE INFORMATION CONTAINED IN THIS DRAWING IS THE SOLE PROPERTY OF DESIGNS FOR OCP GROUP INC. ANY REPRODUCTION IN PART OF AS WHOLE WITHOUT THE WRITTEN PERMISSION OF DESIGNS FOR OCP GROUP INC IS PROHIBITED.			
UNITS: mm SCALE: Free SIZE: A4 SHEET 1 OF 1			