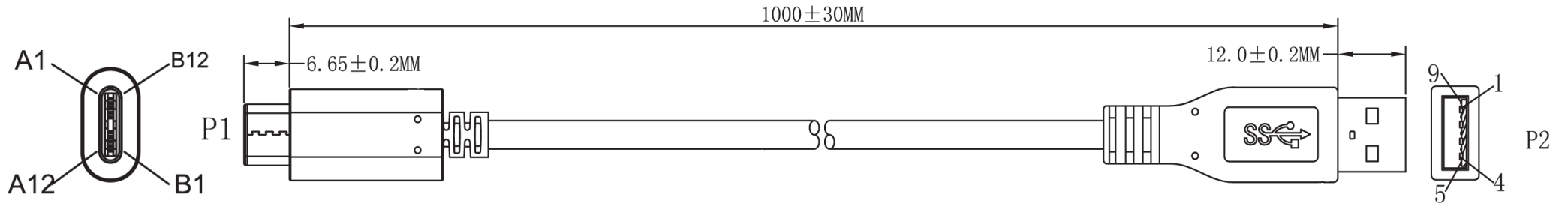
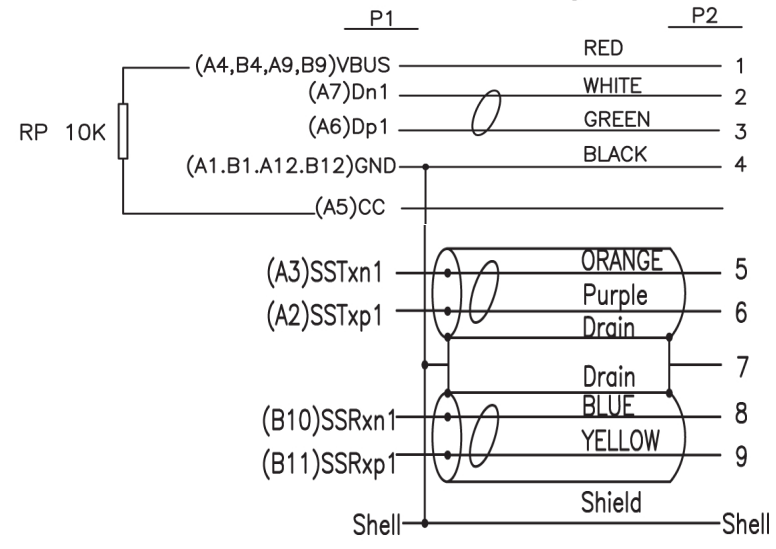


REVISIONS		
Rev.	DESCRIPTION	DATE
A	INITIAL RELEASE	3/03/16

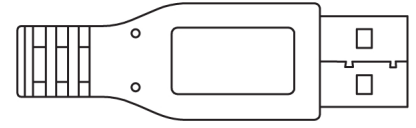
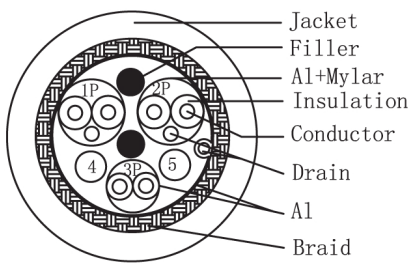


Pin Assignment



Electrical Test:

- 100% Test (Open, short, miss wire)
- Contact Resistance: 2 ohm max.
- Insulation Resistance: 10M ohm Min.
- Hi-Pot: 300VDC/10ms.



<small>UNLESS OTHERWISE SPECIFIED: DIMENSIONS ARE IN MILLIMETERS [INCH] TOLERANCE ARE: X ±0.5 ANGULAR ±0.5° XX ±0.20 XXX ±0.1000</small>	<small>DRAWN BY:</small> Joe Perez	
	<small>CHECKED BY:</small> Omar Acuña	
<small>APPROVED BY:</small> Omar Acuña	<small>TITLE:</small> USB 3.1 CABLE, 1 METER, C TO A GEN2 10G, BLACK	
PROPRIETARY AND CONFIDENTIAL <small>THE INFORMATION CONTAINED IN THIS DRAWING IS THE SOLE PROPERTY OF OCP GROUP INC. ANY REPRODUCTION IN PART OF AS WHOLE WITHOUT THE WRITTEN PERMISSION OF OCP GROUP INC IS PROHIBITED.</small>	<small>OCP P/N:</small> 62-00205-03	
	<small>DRAWING NO:</small>	
	<small>REV:</small> A	
	<small>UNITS:</small> MM	<small>SCALE:</small> FREE
	<small>SIZE:</small> A4	<small>SHEET 1 OF 1</small>