

4

3

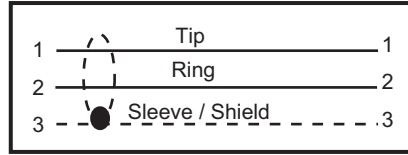
2

1

LENGTH TABLE

PART NUMBER	LENGTH
75-00130-0.6	0.6 FT
75-00130-01	1 FT
75-00130-02	2 FT
75-00130-03	3 FT
75-00130-04	4 FT
75-00130-06	6 FT

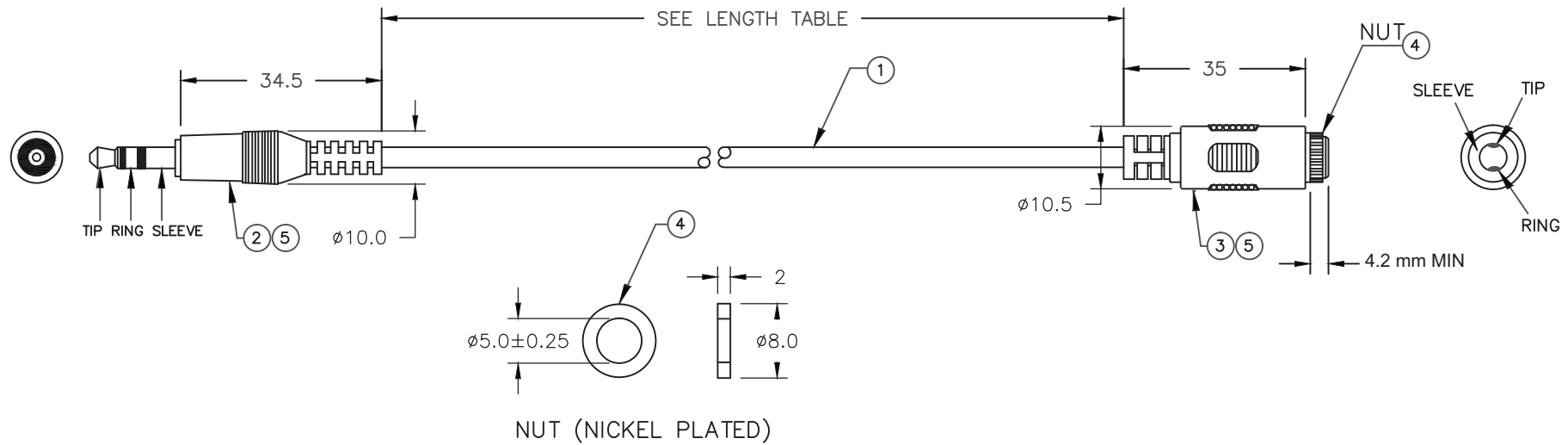
WIRING SCHEMATIC



THIS PRODUCT CONTAINS PROPRIETARY INFORMATION OF OCP GROUP, INC. AND IS SUBJECT TO THE CONDITIONS THAT THE INFORMATION: (A) BE RETAINED IN CONFIDENCE, (B) NOT BE REPRODUCED OR COPIED IN WHOLE OR IN PART, (C) NOT BE USED INCORPORATED IN ANY PRODUCT EXCEPT ON AN EXPRESS WRITTEN AGREEMENT WITH OCP GROUP, INC.

REVISIONS

REV	ECN	AREA	DESCRIPTION	APP'D
A	-	-	INITIAL RELEASE	CJG



ITEM	DESCRIPTION/REMARKS	QTY
7		
6		
5	Green PVC mold	A/R
4	Nut	1
3	3.5 mm Stereo female	1
2	3.5 mm Stereo male	1
1	24 AWG x 2C + Drain. Black PVC jacket	A/R

UNLESS OTHERWISE SPECIFIED	
CABLE TOLERANCE	
LENGTH +/- 3%	
CONNECTOR TOLERANCE	
.XXX±	LINEAR
.XX±	LINEAR

SCALE: NTS DATE: 10/27/11
 UNITS: INCH CHK'D: CJG
 DRAWN BY: DLG APP'D: CJG

TITLE: 3.5 mm STEREO PANEL MOUNT EXTENSION			
OCP PART NO.: 75-00130-XX			
CUSTOMER: AFTERMARKET PRODUCT			
SIZE: A	DRAWING NUMBER: 75-00130-XX	REV: A	SHEET: 1/1

4

3

2

1